

THE PROPERTY OF THIS DRAWING IS ESTABLISHED BY LAW  
IT IS FORBIDDEN TO REPRODUCE IT OR SHOW IT TO THIRD PARTY  
WITHOUT A WRITTEN AGREEMENT.

MODIFICATIONS:

7	8	9
10	11	12

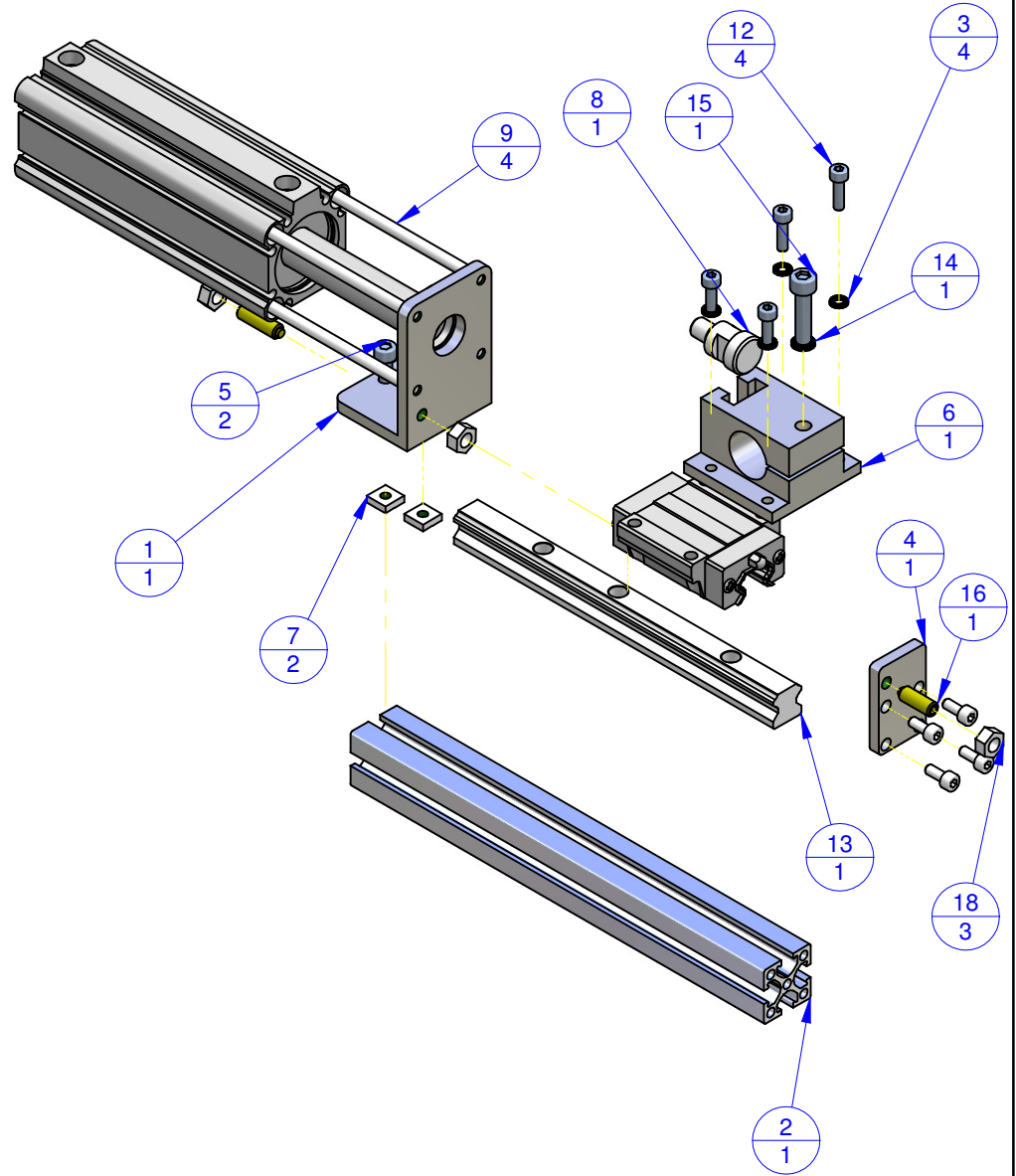
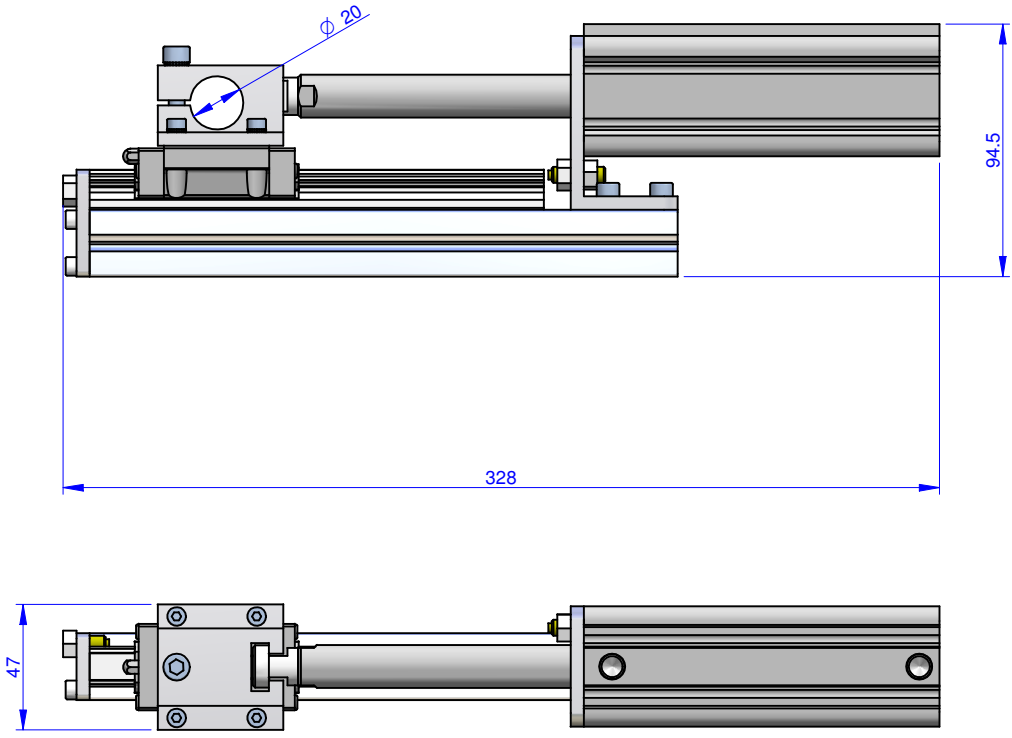
VARIED DIMENSIONS AS OF DATE:

MODIFICATIONS:

1	2	3
4	5	6

VARIED DIMENSIONS AS OF DATE:

Format **A3**  
UNI 936-76



Object Number	Name	QTY	Object Number	Name	QTY
1	HEH.30.03	1	11*	SMC.CDQ2B32TF-100DZ	1
2	CA.x.2525.L.220	1	12	V.TCE4X14	4
3	R.4.SCH	4	13	HI.HGR15	1
4	HEH.30.02-FERMO	1	14	R.6.SCH	1
5	V.TCE M5X12	2	15	V.TCE M6X25	1
6	HEH.30.01	1	16	EL.13893	1
7	CA.02.05.010	2	17*	EL.13894	1
8	SMC.YU-03	1	18	Q.M6	3
9	V.TCE M5X80	4	19*	HI.HEW15CC	1
10*	V.TCE M4X10	4			

<b>FP Services</b>		DESIGNED FROM FPSERVICES	
		DATE 08/2013	WEIGHT 0,000 kg
GENERAL TOLERANCE: UNI - ISO 2768 CLASSE f		DESCRIPTION	
		CODE <b>CA.HEH.20.100</b>	